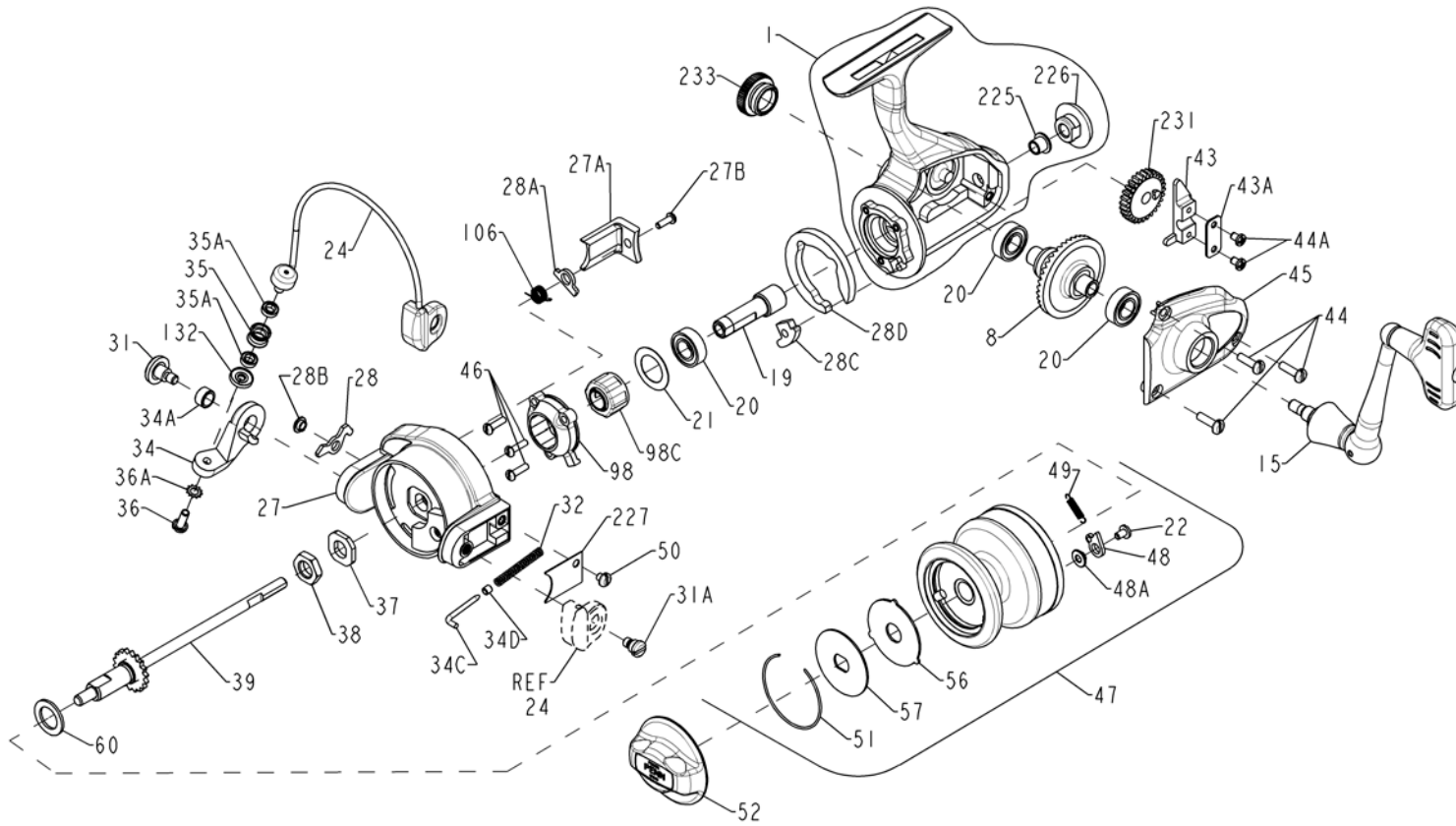




PARTS LIST FOR MODEL 440SSG



KEY NO.	PART NO.	DESCRIPTION
1	001 440G	Housing Assembly
8	008N4400	Main Gear Assembly
15	015 440G	Handle Assembly
19	019 440G	Pinion
20	020 722	Ball Bearing (3 req)
21	021 550G	Bearing Cover
22	048B750M	Spool Click Screw
24	024 440G	Bail Wire Assembly
27	027 440G	Rotor Cup Assembly
27A	027A440	Bail Trip Cover
27B	027B420	Rotor End Screw
28	028 440	Trip Lever
28A	028A440	Cam Lever
28B	028B440	Trip Lever Bushing
28C	028C440	Trip Cam
28D	028D440G	Friction Ring
31	031 550	Bail Arm Screw
31A	031A550G	Bail Cam Screw
32	032 5600	Bail Spring
34	034 450	Bail Arm
34A	034A550	Bail Arm Bushing
34C	034C550G	Pivot Arm
34D	034D550G	Pivot Arm Bushing
35	035 550G	Line Roller
35A	035A8500J	Ball Bearing (2 req)
36	036 750	Bail Stud Screw
36A	036A750	Lock Washer
37	037 450	Rotor Washer
38	038 550	Rotor Nut
39	039 440	Spool Shaft
43	043 440G	Crosswind Block
43A	043A4400	Crosswind Block Plate
44	044 704	Cover Screw (3 req)
44A	048B750M	Crosswind Block Screw (2 req)
45	045 440G	Housing Cover
46	046 4300	Screw (3 req)
47	047 440G	Spool Assembly
48	048 450	Click Tongue
48A	048A750	Click Tongue Washer
49	049 710	Click Tongue Spring
50	050 712	Bail Spring Cover Screw
51	051 440	Retaining Ring
52	052 440G	Drag Knob Assembly
56	056 440	Drag Washer HT-100
57	057 440	Metal Keyed Washer
60	060 450	Thrust Washer
98	098 550G	Clutch Retainer
98C	098C550G	Clutch / Sleeve Assembly
106	106 5500	Lever Spring
132	132 5500J	Roller Washer
225	225 440G	Spool Shaft Bushing
226	226 550G	Rear Cap
227	227 440	Bail Spring Cover
231	231 440G	Crosswind Gear
233	233 550G	Bearing Cover