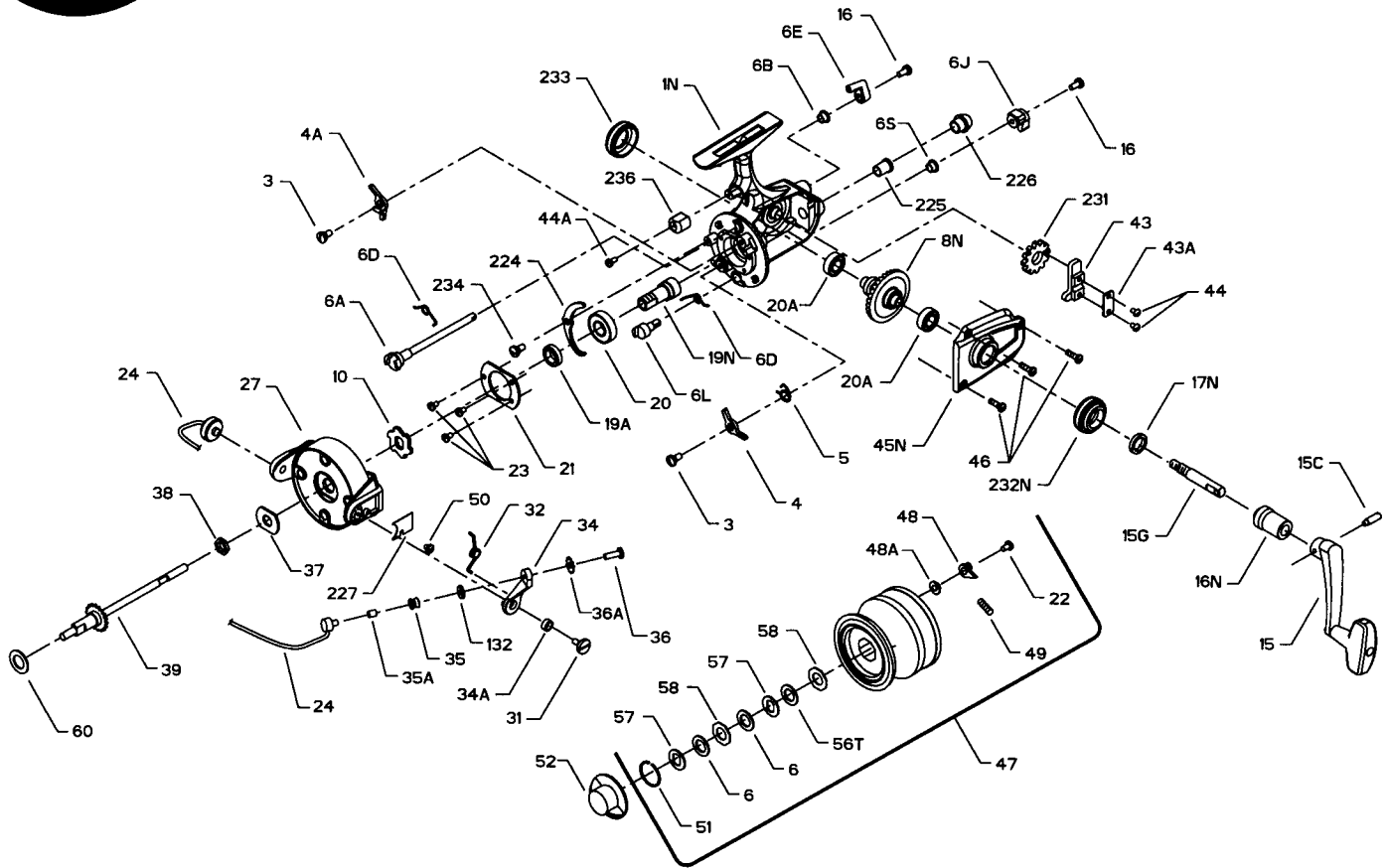




PARTS LIST FOR MODEL 6500SS



KEY NO.	DESCRIPTION	PART NO.	KEY NO.	DESCRIPTION	PART NO.
1N	Housing	1N-6500	35	Line Roller	35-750
3	Dog Screw (2 req.)	3-750	35A	Line Roller Bushing	35A-704
4	Dog	4-650	36	Bail Stud Screw	36-750
4A	Silent Dog	4A-650	36A	Lock Washer	36A-750
5	Click Dog Spring	5-704	37	Rotor Washer	37-650
6	Drag Washer-HT100 (2 req.)	6-155	38	Rotor Nut	38-710
6A	Upper Eccentric	6A-650	39	Spool Shaft	39-650
6B	Upper Eccentric Liner	6B-750	43	Crosswind Block	43-750
6D	Eccentric Spring (2 req.)	6D-710	43A	Crosswind Block	43A-750
6E	Anti-Reverse Lever	6E-750	44	Crosswind Block Screw (3 req.)	44-750
6J	Silent Dog Lever	6J-750	44A	Trip Bumper Screw	44-750
6L	Silent Eccentric	6L-650	45N	Housing Cover	45-6500
6S	Silent Eccentric Liner	6B-700Z	46	Housing Cover Screw (3 req.)	46-750
8N	Main Gear	8N-6500	47	Spool (Complete)	47-6500
10	Ratchet	10-650	48	Click Tongue	48-750
15	Handle	15-650	48A	Click Tongue Washer	48A-750
15C	Pivot Screw	15C-650	49	Click Tongue Spring	49-710
15G	Handle Pivot	15G-6500	50	Bail Spring Cover Screw	50-712
16	Eccentric Screw (2 req.)	16-910	51	Retaining Ring	51-650
16N	Handle Collar	16N-6500	52	Drag Knob	52-650
17N	Seal Washer	17N-6500	56T	Drag Washer (Teflon®)	56T-650
19A	Pinion Spacer	19A-650	57	Drag Washer (Keyed) (2 req.)	57-650
19N	Pinion	19N-6500	58	Drag Washer (Octagon) (2 req.)	58-650
20	Ball Bearing	20-704	60	Thrust Washer	60-750
20A	Ball Bearing (2 req.)	20-6500	132	Roller Washer	132-750
21	Bearing Cover	21-750	224	Transfer Lever	224-650
22	Spool Click Screw	22-750	225	Crosswind Shaft Bushing	225-750
23	Bearing Cover Screw (3 req.)	23-750	226	Bushing Cap	226-7500
24	Bail Wire	24-650	227	Bail Spring Cover	227-750
27	Rotor	27-650	231	Crosswind Gear	231-650
31	Bail Arm Screw	31-750	232N	Bearing Cover (Open)	232N-6500
32	Bail Arm Spring	32-750	233	Bearing Cover (Closed)	233-650
34	Bail Arm	34-750	234	Transfer Lever Screw	234-750
34A	Bail Arm Bushing	34A-750	236	Trip Bumper	236-750